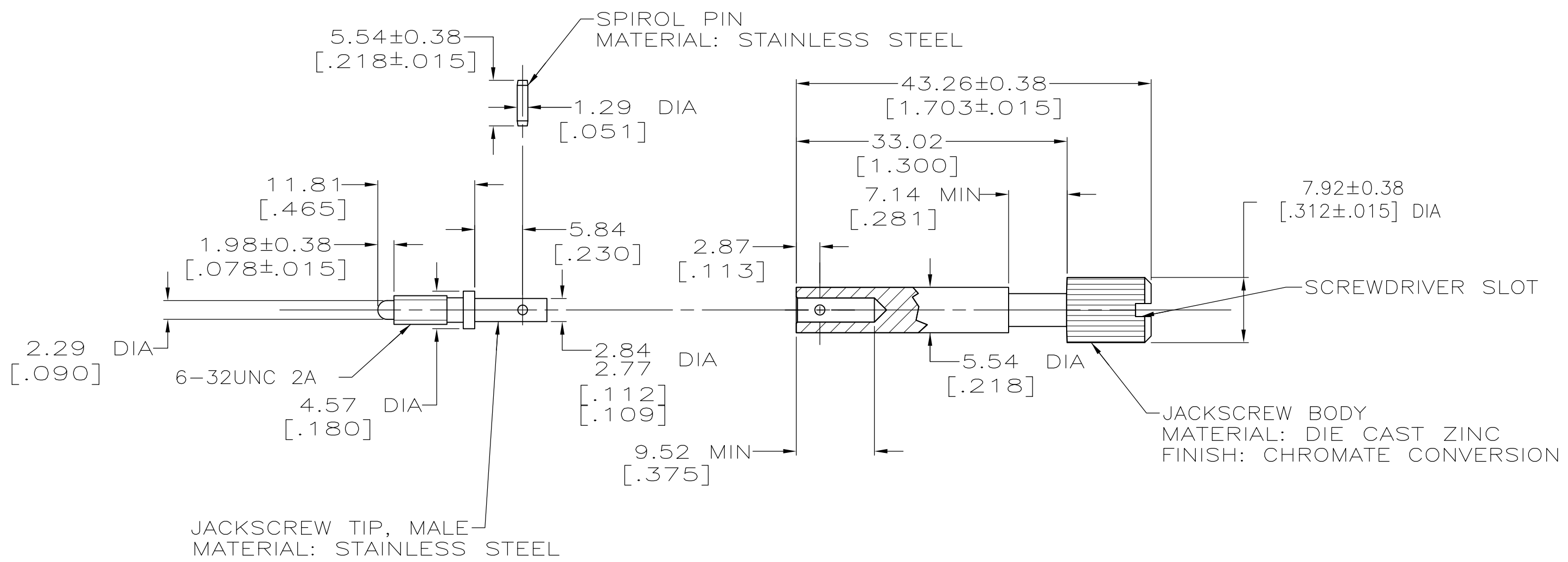


THIS DRAWING IS UNPUBLISHED. RELEASED FOR PUBLICATION
 © COPYRIGHT BY TYCO ELECTRONICS CORPORATION. ALL INTERNATIONAL RIGHTS RESERVED.

LOC	DIST	REVISIONS					
BD	0	P	LTR	DESCRIPTION	DATE	DWN	APVD
			L2	REVISED PER ECO-08-022447	17SEP08	HMR	GS



- 1 HEXAVALENT CHROMATE COATING ON JACKSCREW BODY.
- 2 NON-HEXAVALENT CHROMATE COATING ON JACKKSCREW BODY.
- 3 SPECIAL PACKAGING - ONE UNASSEMBLED UNIT PER BAG.
- 4 PRELIMINARY - NOT FOR PRODUCTION.

2	3	4	201413-5
2			201413-4
1			201413-1
NOTES		PART NUMBER	

THIS DRAWING IS A CONTROLLED DOCUMENT.		DWN	M.BINNER	09/27/94	Tyco Electronics Corporation Harrisburg, PA 17105-3608		
DIMENSIONS: mm		CHK	R.STONE	1-20-95	JACKSCREW KIT, UNASSEMBLED, MALE, M SERIES		
TOLERANCES UNLESS OTHERWISE SPECIFIED:		APVD	-	-	NAME	-	
0 PLC ± -		PRODUCT SPEC	-				
1 PLC ± -		APPLICATION SPEC	-				
2 PLC ± 0.13 [.005]		WEIGHT	-				
3 PLC ± -		SIZE	A3	CAGE CODE	00779	DRAWING NO	C-201413
4 PLC ± -		RESTRICTED TO	-				
ANGLES ± -		SCALE	2:1		SHEET	1 OF 1	
FINISH		REV	L2				
SEE CALLOUT		CUSTOMER DRAWING					